



### Kabelske stopice Cu cijevne, prema DIN 46235

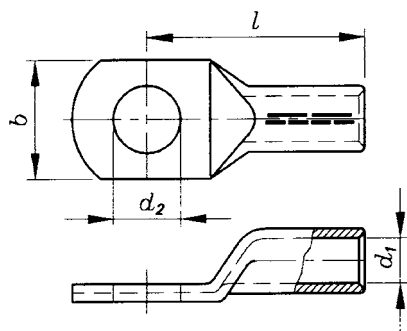
### Compression cable lugs copper tube, acc. to DIN 46235

za bakrenu užad prema DIN 48201 i bakrene vodiče prema VDE 0295 i HRN N.CO.015

for copper conductors acc. to DIN 48201 and copper cable conductors acc. to VDE 0295 and HRN N.CO.015

Materijal: Bakar  
Vanjska površina: galvanski pokositrena

Material: Copper  
Surface: tin-plated



Kataloški broj	Tip proizvoda	Nazivni presjek vodiča mm <sup>2</sup>		Prijključni vijak mm	Promjer vodiča mm	Dimenzije mm				Broj alata	Broj prešanja		Težina ca. kg/100 kom.	Jedinično pakiranje kom.
		SJ	OV/SV			b	d1	d2	l		meh.	hydr.		
Cat.no.	Product type	Conductor cross section mm <sup>2</sup>		Termin. bolt mm	Conductor diameter mm	Dimension mm				Die Code no.	Number of compressions		Weight appr. kg/100 pcs.	Packing Unit pcs.
		RE	RM/SM		VDE 0295 HRN N.CO.015	b	d1	d2	l		mech.	hydr.		
MP 102 002	KSB-C-6/6	6	6	6	2,7-3,3	10	3,8	6,5	24	5	2	-	0,3	200
MP 102 004	KSB-C-6/8			8		13		8,5	24				0,3	
MP 102 006	KSB-C-10/6	10	10	6	3,5-4,2	11	4,5	6,5	27	6	2	-	0,4	200
MP 102 008	KSB-C-10/8			8		13		8,5	27				0,4	
MP 102 010	KSB-C-16/6			6		13	5,5	6,5	36	8	2	-	1,0	100
MP 102 012	KSB-C-16/8	16	16	8	4,5-5,3	13	5,5	8,5	36				1,0	
MP 102 014	KSB-C-16/10			10		17	5,5	10,5	36				1,0	
MP 102 016	KSB-C-25/6			6		14	7	6,5	38	10	2	-	2,0	50
MP 102 018	KSB-C-25/8	-	25	8	5,6-6,6	16	7	8,5	38	10	2	-	1,8	
MP 102 020	KSB-C-25/10			10		17	7	10,5	38	10	2	-	1,8	
MP 102 022	KSB-C-25/12			12		19	7	12,7	38				1,7	
MP 102 024	KSB-C-35/8			8		17	8,2	8,5	42				3,1	50
MP 102 026	KSB-C-35/10	-	35	10	6,6-7,9	19	8,2	10,5	42	12	2	1	2,6	
MP 102 028	KSB-C-35/12			12		21	8,2	12,7	42				2,5	
MP 102 030	KSB-C-50/8			8		20	10	8,5	52				4,3	
MP 102 032	KSB-C-50/10	-	50	10	7,7-9,1	22	10	10,5	52	14	3	1	4,1	25
MP 102 034	KSB-C-50/12			12		24	10	12,7	52				4,0	
MP 102 036	KSB-C-70/8			8		24	11,5	8,5	55					
MP 102 038	KSB-C-70/10	-	70	10	9,3-11,0	24	11,5	10,5	55	16	3	1	5,6	25
MP 102 040	KSB-C-70/12			12		24	11,5	12,7	55				5,4	
MP 102 042	KSB-C-70/16			16		30	11,5	17	55				6,2	
MP 102 044	KSB-C-95/10			10		28	13,5	10,5	65				8,5	
MP 102 046	KSB-C-95/12	-	95	12	11,0-12,9	28	13,5	12,7	65	18	4	2	8,1	25
MP 102 048	KSB-C-95/16			16		32	13,5	17	65				7,5	

## Kabelske stopice Cu cijevne, prema DIN 46235

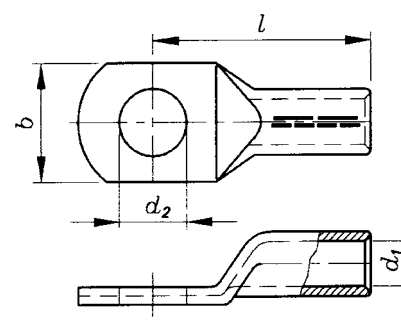
## Compression cable lugs copper tube, acc. to DIN 46235

za bakrenu užad prema DIN 48201  
i bakrene vodiče prema  
VDE 0295 i HRN N.CO.015

for copper conductors  
acc. to DIN 48201  
and copper cable conductors  
acc. to VDE 0295 and HRN N.CO.015

Materijal: Bakar  
Vanjska površina: galvanski  
pokositrena

Material: Copper  
Surface: tin-plated



Kataloški broj	Tip proizvoda	Nazivni presjek vodiča mm <sup>2</sup> SJ OV/SV	Priključni vijak mm	Promjer vodiča mm VDE 0295 HRN N.CO.015	Dimenzije mm b d1 d2 l	Broj alata	Broj prešanja meh. hidr.	Težina ca. kg/100 kom.	Jedinično pakiranje kom.
Cat.no.	Product type	Conductor cross section mm <sup>2</sup> RE RM/SM	Termin. bolt mm	Conductor diameter mm VDE 0295 HRN N.CO.015	Dimension mm b d1 d2 l	Die Code no.	Number of compressions mech. hydr.	Weight appr. kg/100 pcs.	Packing Unit pcs.
MP 102 050	KSB-C-120/10		10		32 15,5 10,5 70			11,6	
MP 102 052	KSB-C-120/12	- 120	12	12,5-14,5	32 15,5 12,7 70	20	4 2	11,4	20
MP 102 054	KSB-C-120/16		16		32 15,5 17 70			11,2	
MP 102 056	KSB-C-150/10		10		34 17 10,5 78			16,8	
MP 102 058	KSB-C-150/12	- 150	12	13,9-16,2	34 17 12,7 78	22	4 2	16,3	20
MP 102 060	KSB-C-150/16		16		34 17 17,0 78			16,2	
MP 102 062	KSB-C-150/20		20		40 17 21,0 78			17,0	
MP 102 064	KSB-C-185/10		10		37 19 10,5 82			19,4	
MP 102 066	KSB-C-185/12	- 185	12	15,5-18,0	37 19 12,7 82	25	4 2	19,0	20
MP 102 068	KSB-C-185/16		16		37 19 17 82			18,3	
MP 102 070	KSB-C-185/20		20		40 19 21 82			18,1	
MP 102 074	KSB-C-240/12		12		42 21,5 12,7 92			28,5	
MP 102 076	KSB-C-240/16	- 240	16	17,8-20,6	42 21,5 17 92	28	- 2	28,2	20
MP 102 078	KSB-C-240/20		20		45 21,5 21 92			28,0	
MP 102 080	KSB-C-300/12		12		48 24,5 12,7 100			36,8	
MP 102 082	KSB-C-300/16	- 300	16	20,0-23,1	48 24,5 17 100	32	- 2	36,5	20
MP 102 084	KSB-C-300/20		20		48 24,5 21 100			35,8	
MP 102 086	KSB-C-400/16		16		55 27,5 17 115			71,0	
MP 102 088	KSB-C-400/20	- 400	20	22,9-26,1	55 27,5 21 115	38	- 3	70,5	10
MP 102 092	KSB-C-500/16		16		60 31 17 125			82,0	
MP 102 094	KSB-C-500/20	- 500	20	25,7-29,2	60 31 21 125	42	- 3	82,0	50



### Kabelske stopice Cu kutni tip

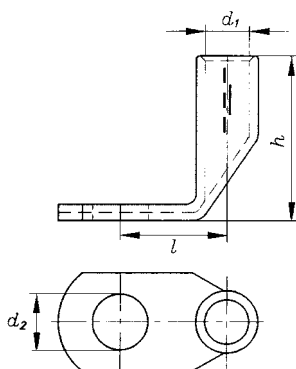
za bakrenu užad prema  
DIN 48201 i bakrene  
vodiče prema VDE 0295  
i HRN N.CO.015

Materijal: Bakar  
Vanjska površina: galvanski  
pokositrena

### Cable lugs copper compression

for copper conductors  
acc. to DIN 48201 and copper cable con-  
ductors acc. to VDE 0295 and  
HRN N.CO.015

Material: Copper  
Surface: tin-plated



Kataloški broj	Tip proizvoda	Nazivni presjek vodiča mm <sup>2</sup> OV/SV	Priključni vijak mm	Promjer vodiča mm VDE 0295 HRN N.CO.015	Dimenzije mm					Broj alata	Broj prešanje meh. hydr.	Težina ca. kg/100 kom.	Jedinično pakiranje kom.
Cat.no.	Product type	Conductor cross section mm <sup>2</sup> RM/SM	Termin. bolt mm	Conductor diameter mm VDE 0295 HRN N.CO.015	d1	d2	h	l	b	Die Code no.	Number of compressions mech. hydr.	Weight appr. kg/100 pcs.	Packing Unit pcs.
MP 102400	KSB-L-16/6		6			6,5	17	13				1,3	
MP 102402	KSB-L-16/8	16	8	4,5-5,3	5,5	8,5	28	17	13	8	2	1,3	50
MP 102404	KSB-L-16/10		10			10,5	17	17				1,4	
MP 102408	KSB-L-25/6		6			6,5	17	14				1,7	
MP 102410	KSB-L-25/8	25	8	5,6-6,6	7,0	8,5	28	17	16	10	2	1,7	50
MP 102412	KSB-L-25/10		10			10,5	20	17				2,0	
MP 102414	KSB-L-25/12		12			12,7	20	19				1,9	
MP 102416	KSB-L-35/8		8			8,5	20	17				3,8	
MP 102418	KSB-L-35/10	35	10	6,6-7,9	8,2	10,5	33	20	19	12	2	3,8	50
MP 102420	KSB-L-35/12		12			12,7	22	21				3,7	
MP 102422	KSB-L-50/8		8			8,5	26	20				5,0	
MP 102424	KSB-L-50/10	50	10	7,7-9,1	10,0	10,5	35	26	22	14	3	4,8	50
MP 102426	KSB-L-50/12		12			12,7	26	24				4,4	
MP 102428	KSB-L-50/16		16			17,0	30	28				4,4	
MP 102430	KSB-L-70/8		8			8,5	27	24				6,5	
MP 102432	KSB-L-70/10	70	10	9,3-11,0	11,5	10,5	36	27	24	16	3	6,7	25
MP 102434	KSB-L-70/12		12			12,7	29	24				6,4	
MP 102436	KSB-L-70/16		16			17,0	32	30				5,7	
MP 102438	KSB-L-95/10		10			10,5	30	28				10,3	
MP 102440	KSB-L-95/12	95	12	11,0-12,9	13,5	12,7	45	30	28	18	4	9,7	25
MP 102442	KSB-L-95/16		16			17,0	34	32				9,8	

## Kabelske stopice Cu kutni tip

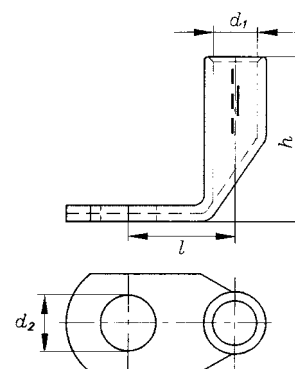
za bakrenu užad prema  
DIN 48201 i bakrene  
vodiče prema VDE 0295  
i HRN N.CO.015

Materijal: Bakar  
Vanjska površina: galvanski  
pokositrena

## Cable lugs copper compression

for copper conductors  
acc. to DIN 48201 and copper cable con-  
ductors acc. to VDE 0295 and  
HRN N.CO.015

Material: Copper  
Surface: tin-plated



Kataloški broj	Tip proizvoda	Nazivni presjek vodiča mm <sup>2</sup> OV/SV	Priključni vijak mm	Promjer vodiča mm VDE 0295 HRN N.CO.015	Dimenzije mm					Broj alata	Broj prešanje meh. hydr.		Težina ca. kg/100 kom.	Jedinično pakiranje kom.
					d1	d2	h	l	b					
Cat.no.	Product type	Conductor cross section mm <sup>2</sup> RM/SM	Termin. bolt mm	Conductor diameter mm VDE 0295 HRN N.CO.015	Dimension mm					Die Code no.	Number of compressions mech. hydr.	Weight appr. kg/100 pcs.	Packing Unit pcs.	
					d1	d2	h	l	b					
MP 102446	KSB-L-120/10		10			10,5		35	32				13,0	
MP 102448	KSB-L-120/12	120	12	12,5-14,5	15,5	12,7	50	38	32	20	4	2	12,8	25
MP 102450	KSB-L-120/16		16			17,0		40	32				12,7	
MP 102454	KSB-L-150/10		10			10,5		34	34				18,4	
MP 102456	KSB-L-150/12	150	12	13,9-16,2	17,0	12,7	56	34	34	22	4	2	18,6	25
MP 102458	KSB-L-150/16		16			17,0		36	34				17,9	
MP 102460	KSB-L-150/20		20			21,0		38	40				18,5	
MP 102462	KSB-L-185/10		10			10,5		38	37				20,1	
MP 102464	KSB-L-185/12	185	12	15,5-18,0	19	12,7	60	38	37	25	4	2	20,7	20
MP 102466	KSB-L-185/16		16			17,0		38	37				20,5	
MP 102468	KSB-L-185/20		20			21,0		40	40				20,5	
MP 102470	KSB-L-240/12		12			12,7		38	42				31,7	
MP 102472	KSB-L-240/16	240	16	17,8-20,6	21,5	17,0	74	38	42	28	-	2	31,7	20
MP 102474	KSB-L-240/20		20			21,0		42	45				31,1	
MP 102478	KSB-L-300/16		16			17,0		42	48				45,0	
MP 102480	KSB-L-300/20	300	20	20,0-23,1	24,5	21,0	86	45	48	32	-	2	45,7	20

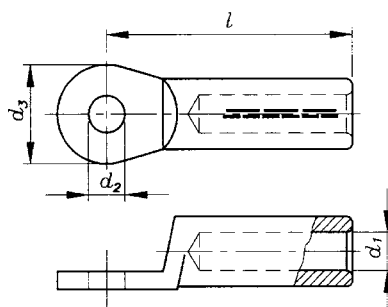


### Kabelske stopice Cu uzdužno vodonepropusne

za bakrenu užad prema  
DIN 48201 i bakrene  
vodiče prema VDE 0295  
i HRN N.CO.015

### Cable lugs copper compression type longitudinally sealed

for copper conductors  
acc. to DIN 48201 and copper cable con-  
ductors acc. to VDE 0295 and  
HRN N.CO.015



Materijal: Bakar  
Vanjska površina: galvanski  
pokositrena

Material: Copper  
Surface: tin-plated

Kataloški broj	Tip proizvoda	Nazivni presjek vodiča mm <sup>2</sup> OV/SV	Priključni vijak mm	Promjer vodiča mm VDE 0295 HRN N.CO.015	Dimenzije mm				Broj alata	Broj prešanje meh. hidr.		Težina ca. kg/100 kom.	Jedinično pakiranje kom.
Cat.no.	Product type	Conductor cross section mm <sup>2</sup> RM/SM	Termin. bolt mm	Conductor diameter mm VDE 0295 HRN N.CO.015	Dimension mm				Die Code no.	Number of compressions mech. hydr.		Weight appr. kg/100 pcs.	Packing Unit pcs.
					d1	d2	d3	l					
MP 102 210	KSB-K-16/6		6		5,5	6,4	20	42,5				2,1	
MP 102 212	KSB-K-16/8	16	8	4,5-5,3	5,5	8,4	20	42,5	8	2	1	2,1	50
MP 102 214	KSB-K-16/10		10		5,5	10,5	20	42,5				2,0	
MP 102 216	KSB-K-25/6		6		7,0	6,4	20	43				2,2	
MP 102 218	KSB-K-25/8	25	8	5,6-6,6	7,0	8,4	20	43	10	2	1	2,2	50
MP 102 220	KSB-K-25/10		10		7,0	10,5	20	43				2,1	
MP 102 222	KSB-K-25/12		12		7,0	12,7	24	43				2,3	
MP 102 224	KSB-K-35/8		8		8,2	8,4	20	44,5				4,5	
MP 102 226	KSB-K-35/10	35	10	6,6-7,9	8,2	10,5	25	44,5	12	2	1	4,4	50
MP 102 228	KSB-K-35/12		12		8,2	12,7	25	44,5				4,3	
MP 102 230	KSB-K-50/8		8		10,0	8,4	25	54				7,0	
MP 102 232	KSB-K-50/10	50	10	7,7-9,1	10,0	10,5	25	54	14	3	1	6,9	50
MP 102 234	KSB-K-50/12		12		10,0	12,7	25	54				6,7	
MP 102 236	KSB-K-70/8		8		11,5	8,4	25	53,5				9,0	
MP 102 238	KSB-K-70/10	70	10	9,3-11,0	11,5	10,5	25	53,5	16	3	1	8,9	25
MP 102 240	KSB-K-70/12		12		11,5	12,7	25	53,5				8,8	
MP 102 242	KSB-K-70/16		16		11,5	17,0	30	58,0				9,4	
MP 102 244	KSB-K-95/10		10		13,5	10,5	25	63,5				12,1	
MP 102 246	KSB-K-95/12	95	12	11,0-12,9	13,5	12,7	25	63,5	18	4	2	12,0	25
MP 102 248	KSB-K-95/16		16		13,5	17,0	30	68,0				12,3	
MP 102 250	KSB-K-120/10		10		15,5	10,5	30	68,0				19,6	
MP 102 252	KSB-K-120/12	120	12	12,5-14,5	15,5	12,7	30	68,0	20	4	2	19,5	25
MP 102 254	KSB-K-120/16		16		15,5	17,0	30	68,0				19,3	

## Kabelske stopice Cu uzdužno vodonepropusne

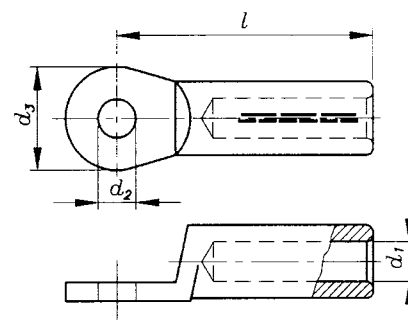
za bakrenu užad prema  
DIN 48201 i bakrene  
vodiče prema VDE 0295  
i HRN N.CO.015

Materijal: Bakar  
Vanjska površina: galvanski  
pokositrena

## Cable lugs copper compression type longitudinally sealed

for copper conductors  
acc. to DIN 48201 and copper cable con-  
ductors acc. to VDE 0295 and  
HRN N.CO.015

Material: Copper  
Surface: tin-plated



Kataloški broj	Tip proizvoda	Nazivni presjek vodiča mm <sup>2</sup> OV/SV	Priključni vijak mm	Promjer vodiča mm VDE 0295 HRNN.CO.015	Dimenzije mm				Broj alata	Broj prešanja meh. hydr.		Težina ca. kg/100 kom.	Jedinično pakiranje kom.
Cat.no.	Product type	conductor cross section mm <sup>2</sup> RM/SM	Termin. bolt mm	Conductor diameter mm VDE 0295 HRNN.CO.015	Dimension mm				Die Code no.	Number of compressions mech. hydr.		Weight appr. kg/100 pcs.	Packing Unit pcs.
					d1	d2	d3	l					
MP 102 256	KSB-K-150/10		10		17,0	10,5	30	70				22,5	
MP 102 258	KSB-K-150/12	150	12	13,9-16,2	17,0	12,7	30	70	22	4	2	22,4	25
MP 102 260	KSB-K-150/16		16		17,0	17,0	30	70				22,2	
MP 102 262	KSB-K-150/20		20		17,0	21,0	38	74				22,7	
MP 102 264	KSB-K-185/10		10		19,0	10,5	30	77				23,5	
MP 102 266	KSB-K-185/12	185	12	15,5-18,0	19,0	12,7	30	77	25	4	2	23,4	20
MP 102 268	KSB-K-185/16		16		19,0	17,0	30	77				23,2	
MP 102 270	KSB-K-185/20		20		19,0	21,0	38	81				23,9	
MP 102 272	KSB-K-240/10		10		21,5	10,5	38	81				39,5	
MP 102 274	KSB-K-240/12	240	12	17,8-20,6	21,5	12,7	38	81	28	-	2	39,4	20
MP 102 276	KSB-K-240/16		16		21,5	17,0	38	81				39,2	
MP 102 278	KSB-K-240/20		20		21,5	21,0	38	81				39,0	



## Kabelske stopice Cu vijčane

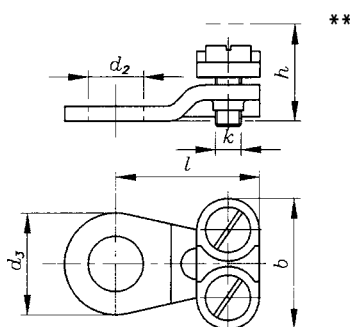
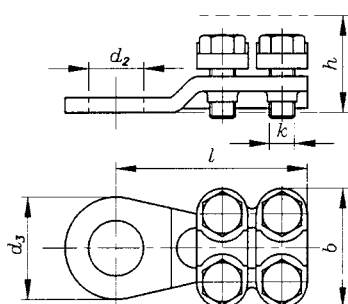
za bakrenu užad prema DIN 48201 i bakrene vodiče prema VDE 0295 i HRN N.CO.015

Materijal:  
 Stopica: Bakar  
 Vijci: Čelik ili mesing\*  
 Vanjska površina stopice: galvanski pokositrena

## Cable lugs copper clamping type

for copper conductors acc. to DIN 48201 and copper cable conductors acc. to VDE 0295 and HRN N.CO.015

Material:  
 Body: Copper  
 Bolts: Steel or brass  
 Surface of body: tin-plated



Kataloški broj	Kataloški broj*	Tip proizvoda	Nazivni presjek vodiča mm <sup>2</sup>	Priključni vijak mm	d2	l	Dimenzije mm				Težina ca.kg/100 kom.	Jedinično pakiranje kom.
Cat.no.	Cat. no*	Product type	Conductor cross section mm <sup>2</sup>	Terminal bolt mm	d2	l	d3	b	h	k	Weight appr.kg/100 pcs.	Packing unit pcs.
MP 102606	MP 102806	KSV-10/6**	10	6	6,5	24,0	15	17,5	14	M4	1,2	100
MP 102608	MP 102808	KSV-10/8**		8	8,5	24,0						
MP 102610	MP 102810	KSV-16/6**		6	6,5	27,0	15					
MP 102612	MP 102812	KSV-16/8**	16	8	8,5	27,0	15	20,5	14	M5	2,0	100
MP 102614	MP 102814	KSV-16/10**		10	10,5	27,0	19					
MP 102616	MP 102816	KSV-25/6**		6	6,5	30,0	15					
MP 102618	MP 102818	KSV-25/8**	25	8	8,5	30,0	15	25,0	16	M6	2,9	100
MP 102620	MP 102820	KSV-25/10**		10	10,5	32,0	19					
MP 102624	MP 102824	KSV-35/8		8	8,5	42	19					
MP 102626	MP 102826	KSV-35/10	35	10	10,5	42	19	28,0	16	M6	4,5	50
MP 102628	MP 102828	KSV-35/12		12	13,0	45	21					
MP 102630	MP 102830	KSV-50/8		8	8,5	46,0	19					
MP 102632	MP 102832	KSV-50/10	50	10	10,5	46,0	19	28,0	19	M6	6,7	50
MP 102634	MP 102834	KSV-50/12		12	13,0	46,0	21,5					
MP 102636	MP 102836	KSV-70/8		8	8,5	52,0						
MP 102638	MP 102838	KSV-70/10	70	10	10,5	52,0	24,0	31,0	19	M6	9,8	25
MP 102640	MP 102840	KSV-70/12		12	13,0	52,0						
MP 102644	MP 102844	KSV-95/10		10	10,5	57,0	24,0					
MP 102646	MP 102846	KSV-95/12	95	12	13,0	57,0	24,0	32,0	25	M6	12,0	25
MP 102648	MP 102848	KSV-95/16		16	17,0	60,0	30,0					

\* Kabelska stopica Cu, vijčana s mesinganim (MS) vijcima  
 \*\* izvedba sa dva vijka

\* Clamping cable lugs Cu, with brass bolts  
 \*\* Type with two bolts

## Kabelske stopice Cu vijčane

za bakrenu užad prema DIN 48201 i bakrene vodiče prema VDE 0295 i HRN N.CO.015

Materijal:

Stopica: Bakar

Vijci: Čelik ili mesing\*

Vanjska površina stopice: galvanski pokositrena

## Cable lugs copper clamping type

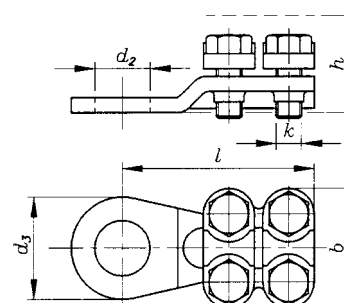
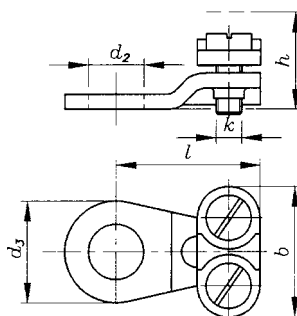
for copper conductors acc. to DIN 48201 and copper cable conductors acc. to VDE 0295 and HRN N.CO.015

Material:

Body: Copper

Bolts: Steel or brass

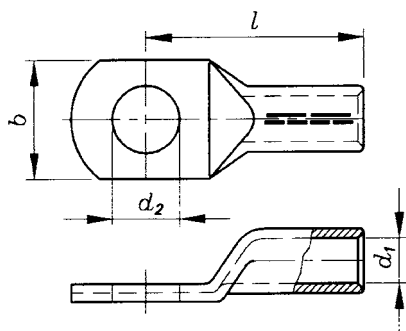
Surface of body: tin-plated



Kataloški broj	Kataloški broj*	Tip proizvoda	Nazivni presjek vodiča mm <sup>2</sup>	Priključni vijak mm	d2	l	Dimenzije mm				Težina ca.kg/100 kom.	Jedinično pakiranje kom.
Cat.no.	Cat. no*	Product type	Conductor cross section mm <sup>2</sup>	Terminal bolt mm	d2	l	d3	b	h	k	Weight appr.kg/100 pcs.	Packing unit pcs.
MP 102650	MP 102850	KSV-120/10		10	10,5	60,0	24					
MP 102652	MP 102852	KSV-120/12	120	12	13,0	60,0	24	40	27	M8	17	25
MP 102654	MP 102854	KSV-120/16		16	17,0	63,0	30					
MP 102656	MP 102856	KSV-150/10		10	10,5	65,0	24				19	
MP 102658	MP 102858	KSV-150/12	150	12	13,0	65,0	24	42	29	M8	19	10
MP 102660	MP 102860	KSV-150/16		16	17,0	65,0	30				20	

\* Kabelska stopica Cu, vijčana s mesinganim (MS) vijcima

\* Clamping cable lugs Cu, with brass bolts



## Kabelske stopice Al cijevne

za aluminijsku užad prema DIN 48201 i aluminijske vodiče prema VDE 0295 i HRN N.CO.015

Materijal: Aluminij  
Vanjska površina: čista

## Cable lugs Al compression type tube

for aluminium conductors acc. to DIN 48201 and aluminium cable conductors acc. to VDE 0295 and HRN N.CO.015

Material: Aluminium  
Surface: uncoated

Kataloški broj	Tip proizvoda	Nazivni presjek vodiča mm <sup>2</sup> OJ OV/SV		Priključni vijak mm	Promjer vodiča mm VDE 0295 HRNN.CO.015	Dimenzije mm d1 d2 b l				Broj alata	Broj prešanja meh. hidr.		Težina ca. kg/100 kom.	Jedinično pakiranje kom.
Cat.no.	Product type	Conductor cross section mm <sup>2</sup> SE RM/SM		Termin. bolt mm	Conductor diameter mm VDE 0295 HRNN.CO.015	Dimension mm d1 d2 b l				Die Code no.	Number of compressions mech. hydr.		Weight appr. kg/100 pcs.	Packing Unit pcs.
MP 102 110	KSA-C-16/6			6		5,6	6,5	18,0	53,0				1,5	
MP 102 112	KSA-C-16/8	16	25	8	4,5-5,3	5,6	8,5	18,0	53,0	12	4	2	1,4	100
MP 102 114	KSA-C-16/10			10		5,6	10,5	18,0	53,0				1,3	
MP 102 116	KSA-C-25/6			6		6,8	6,5	18,0	60,0				1,2	
MP 102 118	KSA-C-25/8	25	35	8	5,6-6,6	6,8	8,5	19,0	60,0	12	4	2	1,3	100
MP 102 120	KSA-C-25/10			10		6,8	10,5	19,0	60,0				1,3	
MP 102 122	KSA-C-25/12			12		6,8	12,7	23,0	60,0				1,3	
MP 102 124	KSA-C-35/8			8		8,0	8,5	21,0	71,0				2,2	
MP 102 126	KSA-C-35/10	35	50	10	6,6-7,9	8,0	10,5	21,0	71,0	14	5	2	2,1	100
MP 102 128	KSA-C-35/12			12		8,0	12,7	21,0	71,0				2,0	
MP 102 130	KSA-C-50/8			8		10,0	8,5	22,5	73,0				2,9	
MP 102 132	KSA-C-50/10	50	70	10	7,7-9,1	10,0	10,5	25,0	73,0	16	5	2	2,8	100
MP 102 134	KSA-C-50/12			12		10,0	12,7	25,0	73,0				2,7	
MP 102 136	KSA-C-70/8			8		11,5	8,5	28,0	87,0				4,2	
MP 102 138	KSA-C-70/10	70	95	10	9,3-11,0	11,5	10,5	28,0	87,0	18	6	3	4,2	50
MP 102 140	KSA-C-70/12			12		11,5	12,7	28,0	87,0				4,2	
MP 102 142	KSA-C-70/16			16		11,5	17,0	32,0	87,0				4,2	
MP 102 144	KSA-C-95/10			10		13,5	10,5	32,0	91,0				6,6	
MP 102 146	KSA-C-95/12	95	120	12	11,0-12,9	13,5	12,7	32,0	91,0	22	6	3	6,6	25
MP 102 148	KSA-C-95/16			16		13,5	17,0	32,0	91,0				6,3	
MP 102 150	KSA-C-120/10			10		15,5	10,5	32,0	91,0				6,8	
MP 102 152	KSA-C-120/12	120	150	12	12,5-14,5	15,5	12,7	32,0	91,0	22	6	3	6,9	25
MP 102 154	KSA-C-120/16			16		15,5	17,0	34,0	91,0				6,9	

## Kabelske stopice Al cijevne

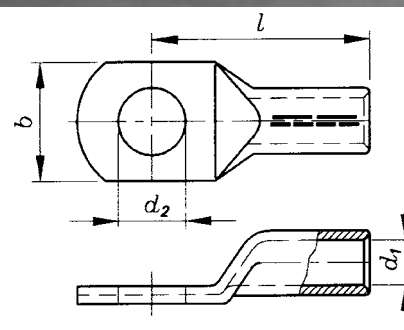
## Cable lugs Al compression type tube

za aluminijску užad prema DIN 48201 i aluminijске vodiče prema VDE 0295 i HRN N.CO.015

for aluminium conductors acc. to DIN 48201 and aluminium cable conductors acc. to VDE 0295 and HRN N.CO.015

Materijal: Aluminij  
Vanjska površina: čista

Material: Aluminium  
Surface: uncoated



Kataloški broj	Tip proizvoda	Nazivni presjek vodiča mm <sup>2</sup> OJ OV/SV		Priključni vijak mm	Promjer vodiča mm VDE 0295 HRNN.CO.015	Dimenzije mm d1 d2 b l				Broj alata	Broj prešanja meh. hydr.		Težina ca. kg/100 kom.	Jedinično pakiranje kom.
Cat.no.	Product type	Conductor cross section mm <sup>2</sup> SE RM/SM		Termin. bolt mm	Conductor diameter mm VDE 0295 HRNN.CO.015	Dimension mm d1 d2 b l				Die Code no.	Number of compressions mech. hydr.		Weight appr. kg/100 pcs.	Packing Unit pcs.
MP 102 256	KSA-C-150/10			10		16,5	10,5	35	100				8,4	
MP 102 258	KSA-C-150/12	150	185	12	13,9-16,2	16,5	12,7	35	100	25	6	3	8,3	25
MP 102 260	KSA-C-150/16			16		16,5	17,0	35	100				8,1	
MP 102 262	KSA-C-150/20			20		16,5	21,0	40	100					
MP 102 164	KSA-C-185/10			10		18,5	10,5	40	110				12,5	
MP 102 166	KSA-C-185/12	185	240	12	15,5-18,0	18,5	12,7	40	110	28	6	3	12,2	20
MP 102 168	KSA-C-185/16			16		18,5	17,0	40	110				11,9	
MP 102 170	KSA-C-185/20			20		18,5	21,0	40	110				11,5	
MP 102 172	KSA-C-240/10			10		21,5	10,5	45	124				17,6	
MP 102 174	KSA-C-240/12	240	300	12	17,8-20,6	21,5	12,7	45	124	32	8	3	12,7	20
MP 102 176	KSA-C-240/16			16		21,5	17,0	45	124				16,7	
MP 102 178	KSA-C-240/20			20		21,5	21,0	45	124				16,2	
MP 102 180	KSA-C-300/16			16		23,4	17,0	50	125				20,0	
MP 102 182	KSA-C-300/20	300	-	20	20-23,1	23,4	21,0	50	125	34	8	3	19,8	20
MP 102 184	KSA-C-400/16	400	-	16	22,9-26,1	26,0	17,0	60	165				33,3	
MP 102 186	KSA-C-400/20			20		26,0	21,0	60	165	38	-	4	41,4	10
MP 102 188	KSA-C-500/16	500	-	16	25,7-29,2	29,0	17,0	63	185				60,5	
MP 102 190	KSA-C-500/20			20		29,0	21,0	63	185	44	-	4	58,0	5



### Kabelske stopice Al uzdužno vodonepropusne prema DIN 46329

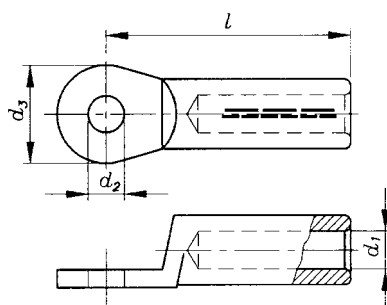
za aluminijску užad prema  
DIN 48201 i aluminijске  
vodiče prema VDE 0295  
i HRN N.CO.015

Materijal: Aluminij  
Vanjska površina: čista

### Cable lugs aluminium compression type longitudinally sealed, acc. to DIN 46329

for aluminium conductors  
acc. to DIN 48201 and  
aluminium cable conductors  
acc. to VDE 0295 and HRN N.CO.015

Material: Aluminium  
Surface: uncoated



Kataloški broj	Tip proizvoda	Nazivni presjek vodiča mm <sup>2</sup>			Prijključni vijak mm	Promjer vodiča mm	Dimenzije mm				Broj alata	Broj prešanje		Težina ca. kg/100 kom.	Jedinično pakiranje kom.
		OV/SV	SJ	OJ			d1	d2	d3	l		meh.	hydr.		
Cat.no.	Product type	Conductor cross section mm <sup>2</sup>			Termin. bolt mm	Conductor diameter mm	Dimension mm				Die Code no.	Number of compressions	Weight appr. kg/100 pcs.	Packing Unit pcs.	
		RM/SM	SE	RE		VDE 0295									
						HRN N.CO.015									
MP 102 310	KSA-K 16/6				6		5,4	6,4	20	55,0				1,9	
MP 102 312	KSA-K 16/8	16	25	16	8	4,5-5,3	5,4	8,4	20	55,0	12	4	2	1,8	50
MP 102 314	KSA-K 16/10				10		5,4	10,5	20	55,0				1,7	
MP 102 316	KSA-K 16/12				12		5,4	12,7	25	55,0				1,8	
MP 102 318	KSA-K 25/6				6		6,8	6,4	20	57,0				1,9	
MP 102 320	KSA-K 25/8	25	35	25	8	5,6-6,6	6,8	8,4	20	57,0	12	4	2	1,8	50
MP 102 322	KSA-K 25/10				10		6,8	10,5	20	57,0				1,7	
MP 102 324	KSA-K 25/12				12		6,8	12,7	25	57,0				1,9	
MP 102 326	KSA-K 35/8				8		8,0	8,4	25	64,0				2,3	
MP 102 328	KSA-K 35/10	35	50	35	10	6,6-7,9	8,0	10,5	25	64,0	14	5	2	2,2	50
MP 102 330	KSA-K 35/12				12		8,0	12,7	25	64,0				2,1	
MP 102 332	KSA-K 50/8				8		9,8	8,4	25	65,0				3,2	
MP 102 334	KSA-K 50/10	50	70	50	10	7,2-9,1	9,8	10,5	25	65,0	16	5	2	3,1	50
MP 102 336	KSA-K 50/12				12		9,8	12,7	25	65,0				3,0	
MP 102 338	KSA-K 70/8				8		11,2	8,4	25	75,0				4,7	
MP 102 340	KSA-K 70/10	70	95	-	10	9,3-11,0	11,2	10,5	25	75,0	18	6	3	4,6	25
MP 102 342	KSA-K 70/12				12		11,2	12,7	25	75,0				4,5	
MP 102 344	KSA-K 70/16				16		11,2	17,0	30	79,5				4,8	
MP 102 346	KSA-K 95/10				10		13,2	10,5	25	80				7,0	
MP 102 348	KSA-K 95/12	95	120	-	12	11,0-12,9	13,2	12,7	25	80	22	6	3	6,8	25
MP 102 350	KSA-K 95/16				16		13,2	17,0	30	84,5				7,5	
MP 102 352	KSA-K 120/10				10		14,7	10,5	30	85				7,0	
MP 102 354	KSA-K 120/12	120	150	-	12	12,5-14,5	14,7	12,7	30	85	22	6	3	6,8	25
MP 102 356	KSA-K 120/16				16		14,7	17,0	30	85				7,5	

## Kabelske stopice Al uzdužno vodonepropusne prema DIN 46329

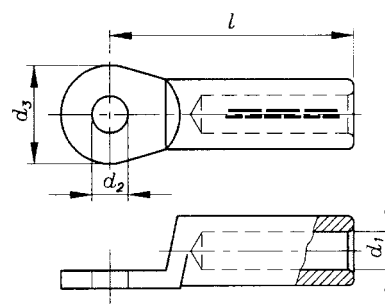
za aluminijску užad prema  
DIN 48201 i aluminijске  
vodiče prema VDE 0295  
i HRN N.CO.015

Materijal: Aluminij  
Vanjska površina: čista

## Cable lugs aluminium compression type longitudinally sealed, acc. to DIN 46329

for aluminium conductors  
acc. to DIN 48201 and  
aluminium cable conductors  
acc. to VDE 0295 and HRN N.CO.015

Material: Aluminium  
Surface: uncoated



Kataloški broj	Tip proizvoda	Nazivni presjek vodiča mm <sup>2</sup>			Prikjučni vijak mm	Promjer vodiča mm	Dimenzije mm				Broj alata	Broj prešanje		Težina ca. kg/100 kom.	Jedinično pakiranje kom.
		OV/SV	SJ	OJ			d1	d2	d3	l		meh.	hidr.		
Cat.no.	Product type	Conductor cross section mm <sup>2</sup>			Termin. bolt mm	Conductor diameter mm	Dimension mm				Die Code no.	Number of compressions		Weight appr. kg/100 pcs.	Packing Unit pcs.
		RM/SM	SE	RE		VDE 0295									
						HRN N.CO.015									
MP 102 358	KSA-K 150/10				10		16,3	10,5	30	90				9,6	
MP 102 360	KSA-K 150/12	150	185	-	12	13,9-16,2	16,3	12,7	30	90	25	6	3	9,5	25
MP 102 362	KSA-K 150/16				16		16,3	17,0	30	90				9,3	
MP 102 364	KSA-K 150/20				20		16,3	21,0	38	94				11,0	
MP 102 366	KSA-K 185/10				10		18,3	10,5	30	91				11,6	
MP 102 368	KSA-K 185/12	185	240	-	12	15,5-18,0	18,3	12,7	30	91	28	6	3	11,5	20
MP 102 370	KSA-K 185/16				16		18,3	17,0	30	91				11,3	
MP 102 372	KSA-K 185/20				20		18,3	21,0	38	95				11,9	
MP 102 374	KSA-K 240/10				10		21,0	10,5	38	103				18,4	
MP 102 376	KSA-K 240/12	240	300	-	12	17,8-20,6	21,0	12,7	38	103	32	8	3	18,5	20
MP 102 378	KSA-K 240/16				16		21,0	17,0	38	103				18,3	
MP 102 380	KSA-K 240/20				20		21,0	21,0	38	103				18,1	
MP 102 382	KSA-K 300/12				12		23,3	12,7	38	103				19,7	
MP 102 384	KSA-K 300/16	300	-	-	16	20-23,1	23,3	17,0	38	103	34	8	3	19,5	20
MP 102 386	KSA-K 300/20				20		23,3	21,0	38	103				19,3	
MP 102 388	KSA-K 400/12				12		26,0	12,7	38	116				34,5	
MP 102 390	KSA-K 400/16	400	-	-	16	22,9-26,1	26,0	17,0	38	116	38	-	3	34,7	10
MP 102 392	KSA-K 400/20				20		26,0	21,0	38	116				34,1	
MP 102 394	KSA-K 500/12				12		29,0	12,7	44	122				40,6	
MP 102 396	KSA-K 500/16	500	-	-	16	25,7-29,2	29,0	17,0	44	122	44	-	4	40,5	5
MP 102 398	KSA-K 500/20				20		29,0	21,0	44	122				40,3	



### Kabelske stopice Al/Cu uzdužno vodonepropusne

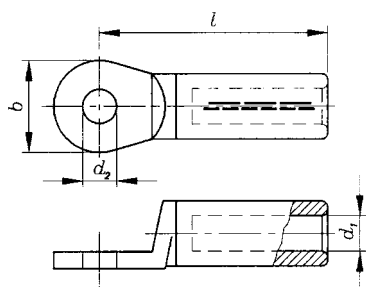
za alumijsku užad prema  
DIN 48201  
i alumijske vodiče prema  
VDE 0295 i HRN N.CO.015

Materijal:  
Tijelo: Aluminij  
Glava: Bakar  
Vanjska površina: čista

### Bimetallic cable lugs compression type longitudinally sealed

for aluminium  
conductors acc. to DIN 48201  
and aluminium cable conductors acc.  
to VDE 0295 and HRN N.CO.015

Material:  
Sleeve: Aluminium  
Palm: solid copper palm hole  
to be enlarged  
Surface: uncoated



Kataloški broj	Tip proizvoda	Nazivni presjek vodiča mm <sup>2</sup>			Prijključni vijak mm	Promjer vodiča mm	Dimenzije mm				Broj alata	Broj prešanja meh. hydr.		Težina ca. kg/100 kom.	Jedinično pakiranje kom.
		OV/SV	SJ	OJ			d1	d2	b	l					
Cat.no.	Product type	Conductor cross section mm <sup>2</sup>			Termin. bolt mm	Conductor diameter mm	Dimension mm				Die Code no.	Number of compressions mech. hydr.	Weight appr. kg/100 pcs.	Packing Unit pcs.	
		RM/SM	SE	RE		VDE 0295									
MP 104 010	KSAB-16/6				6		5,4	6,4	20	62,0				2,9	
MP 104 012	KSAB-16/8	16	16	25	8	4,5-5,3	5,4	8,4	20	62,0	12	4	2	2,9	50
MP 104 014	KSAB-16/10				10		5,4	10,5	20	62,0				2,8	
MP 104 316	KSAB-25/6				6		6,8	6,4	25	63,5				2,3	
MP 104 318	KSAB-25/8	25	25	35	8	5,6-6,6	6,8	8,4	25	63,5	12	4	2	2,2	50
MP 104 320	KSAB-25/10				10		6,8	10,5	25	63,5				2,1	
MP 104 322	KSAB-25/12				12		6,8	12,7	25	63,5				2,0	
MP 104 024	KSAB-35/8				8		8,0	8,4	25	74,5				4,7	
MP 104 026	KSAB-35/10	35	35	50	10	6,6-7,9	8,0	10,5	25	74,5	14	5	2	4,6	50
MP 104 028	KSAB-35/12				12		8,0	12,7	25	74,5				4,5	
MP 104 030	KSAB-50/8				8		9,8	8,4	25	75,5				6,8	
MP 104 032	KSAB-50/10	50	50	70	10	7,7-9,1	9,8	10,5	25	75,5	16	5	2	6,7	50
MP 104 034	KSAB-50/12				12		9,8	12,7	25	75,5				6,6	
MP 104 036	KSAB-70/8				8		11,2	8,4	25	83,5				9,3	
MP 104 038	KSAB-70/10	70	-	95	10	9,3-11,0	11,2	10,5	25	83,5	18	6	3	9,1	25
MP 104 040	KSAB-70/12				12		11,2	12,7	25	83,5				8,9	
MP 104 042	KSAB-70/16				16		11,2	17,0	30	88,0				9,6	
MP 104 044	KSAB-95/10				10		13,2	10,5	25	89,5				14,8	
MP 104 046	KSAB-95/12	95	-	120	12	11,0-12,9	13,2	12,7	25	89,5	22	6	3	14,7	25
MP 104 048	KSAB-95/16				16		13,2	17,0	30	94,0				15,4	
MP 104 050	KSAB-120/10				10		14,7	10,5	30	94,0				15,8	
MP 104 052	KSAB-120/12	120	-	150	12	12,5-14,5	14,7	12,7	30	94,0	22	6	3	15,7	25
MP 104 054	KSAB-120/16				16		14,7	17,0	30	94,0				15,4	

## Kabelske stopice Al/Cu uzdužno vodonepropusne

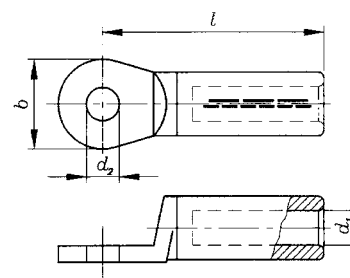
## Bimetallic cable lugs compression type longitudinally sealed

za aluminijsku užad prema  
DIN 48201  
i aluminijske vodiče prema  
VDE 0295  
i HRN N.CO.015

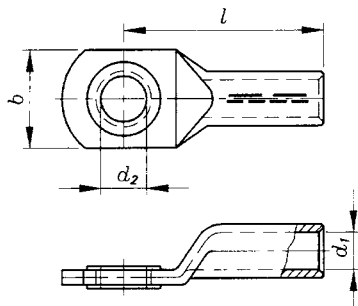
for aluminium  
conductors acc. to DIN 48201  
and aluminium cable conductors acc.  
to VDE 0295 and  
HRN N.CO.015

Materijal:  
Tijelo: Aluminij  
Glava: Bakar  
Vanjska površina: čista

Material:  
Sleeve: Aluminium  
Palm: solid copper palm hole  
to be enlarged  
Surface: uncoated



Kataloški broj	Tip proizvoda	Nazivni presjek vodiča mm <sup>2</sup>			Priključni vijak mm	Promjer vodiča mm	Dimenzije mm				Broj alata	Broj prešanja		Težina ca. kg/100 kom.	Jedinično pakiranje kom.
		OV/SV	SJ	OJ			d1	d2	b	l		meh.	hydr.		
Caf.no.	Product type	Conductor cross section mm <sup>2</sup>			Termin. bolt mm	Conductor diameter mm	Dimension mm				Die Code no.	Number of compressions		Weight appr. kg/100 pcs.	Packing Unit pcs.
		RM/SM	SE	RE		VDE 0295									
MP 104 056	KSAB-150/10				10		16,3	10,5	30	103				17,5	
MP 104 058	KSAB-150/12	150	-	185	12	13,9-16,2	16,3	12,7	30	103	25	6	3	17,4	20
MP 104 060	KSAB-150/16				16		16,3	17,0	30	103				17,2	
MP 104 062	KSAB-150/20				20		16,3	21,0	38	107,5				17,9	
MP 104 064	KSAB-185/10				10		18,3	10,5	30	107				32,9	
MP 104 066	KSAB-185/12	185	-	240	12	15,5-18,0	18,3	12,7	30	107	28	6	3	32,8	20
MP 104 068	KSAB-185/16				16		18,3	17,0	30	107				32,6	
MP 104 070	KSAB-185/20				20		18,3	21,0	38	111				32,4	
MP 104 072	KSAB-240/10				10		21,0	10,5	38	124				41,5	
MP 104 074	KSAB-240/12	240	-	300	12	17,8-20,6	21,0	12,7	38	124	32	8	3	41,4	10
MP 104 076	KSAB-240/16				16		21,0	17,0	38	124				41,2	
MP 104 078	KSAB-240/20				20		21,0	21,0	38	124				41,0	



### Kabelske stopice Al/Cu cijevne

za aluminijsku užad prema DIN 48201 i aluminijske vodiče prema VDE 0295 i HRN N.CO.015

Materijal:

Tijelo: Aluminij  
 Kontaktni prsten: Bakar  
 Vanjska površina: čista

### Bimetallic cable lugs compression tube type

for aluminium conductors acc. to DIN 48201 and aluminium cable conductors acc. to VDE 0295 and HRN N.CO.015

Material:

Body: Aluminium  
 Flat hole part: Copper  
 Surface: uncoated

Kataloški broj	Tip proizvoda	Nazivni presjek vodiča mm <sup>2</sup> OV/SV SJ		Priključni vijak mm	Promjer vodiča mm VDE 0295 HRN N.CO.015	Dimenzije mm d1 d2 b l				Broj alata	Broj prešanja meh. hidr.		Težina ca. kg/100 kom.	Jedinično pakiranje kom.
Cat.no.	Product type	Conductor cross section mm <sup>2</sup> RM/SM SE		Termin. bolt mm	Conductor diameter mm VDE 0295 HRN N.CO.015	Dimension mm d1 d1 b l				Die Code no.	Number of compressions mech. hydr.		Weight appr. kg/100 pcs.	Packing Unit pcs.
MP 104 212	KSAB-C-16/8	16	25	8	4,5-5,3	5,6	8,5	24	55,5	12	4	2	1,9	100
MP 104 214	KSAB-C-16/10			10		5,6	10,5	24	55,5				1,9	
MP 104 218	KSAB-C-25/8	25	35	8	5,6-6,6	6,8	8,5	23	65,0	12	4	2	1,9	100
MP 104 220	KSAB-C-25/10			10		6,8	10,5	23	65,0				2,1	
MP 104 224	KSAB-C-35/8			8		8,0	8,5	26	72,0				2,6	
MP 104 226	KSAB-C-35/10	35	50	10	6,6-7,9	8,0	10,5	26	72,0	14	5	2	2,9	100
MP 104 228	KSAB-C-35/12			12		8,0	13,0	26	71,0				3,1	
MP 104 230	KSAB-C-50/8			8		10,0	8,5	26	75,0				3,3	
MP 104 232	KSAB-C-50/10	50	70	10	7,7-9,1	10,0	10,5	26	75,0	16	5	2	3,5	100
MP 104 234	KSAB-C-50/12			12		10,0	13,0	26	74,5				4,2	
MP 104 236	KSAB-C-70/8			8		11,5	8,5	28	87,0				5,1	
MP 104 238	KSAB-C-70/10	70	95	10	9,3-11,0	11,5	10,5	28	87,0	18	6	3	5,3	50
MP 104 240	KSAB-C-70/12			12		11,5	13,0	28	87,0				4,9	
MP 104 244	KSAB-C-95/10			10		13,5	10,5	32	91,0				6,9	
MP 104 246	KSAB-C-95/12	95	120	12	11,0-12,9	13,5	13,0	32	91,0	22	6	3	7,9	25
MP 104 248	KSAB-C-95/16			16		13,5	17,0	34	91,0				10,0	
MP 104 250	KSAB-C-120/10			10		15,0	10,5	34	91,0				8,2	
MP 104 252	KSAB-C-120/12	120	150	12	12,5-14,5	15,0	13,0	34	91,0	22	6	3	8,0	25
MP 104 254	KSAB-C-120/16			16		15,0	17,0	34	91,0				7,8	
MP 104 256	KSAB-C-150/10			10		16,5	10,5	36	100				9,3	
MP 104 258	KSAB-C-150/12	150	185	12	13,9-16,2	16,5	13,0	36	100	25	6	3	10,1	25
MP 104 260	KSAB-C-150/16			16		16,5	17,0	36	100				10,4	
MP 104 264	KSAB-C-185/10			10		18,5	10,5	40	110				13,5	
MP 104 266	KSAB-C-185/12	185	240	12	15,5-18,0	18,5	13,0	40	110	28	6	3	14,1	20
MP 104 268	KSAB-C-185/16			16		18,5	17,0	40	110				14,0	
MP 104 274	KSAB-C-240/12	240	300	12	17,8-20,6	21,5	13,0	45	124	32	8	3	19,3	15
MP 104 276	KSAB-C-240/16			16		21,5	17,0	45	124				18,9	